



Fitting Instructions

TOWBAR TY123AR
For TOYOTA RAV 4
(July 2000 -)

MATERIALS

A	1	Towbar Mainframe
D	1	Right Hand Side Arm
E	1	Left Hand Side Arm
E1	6	M12 x 35 x 1.75mm Bolts, 4 Nuts and Lock Washers
F	4	M12 x 35 x 1.25mm Bolt, Lock Washers and Large Flat Washers (30mm O.D.)
G	2	M12 x 75 x 1.75mm Bolts, Nyloc Nuts.
H	2	6mm Spacer Plates
R	1	Removable Towball Unit
TB	1	Towball Bag
W	1	Weather Cap

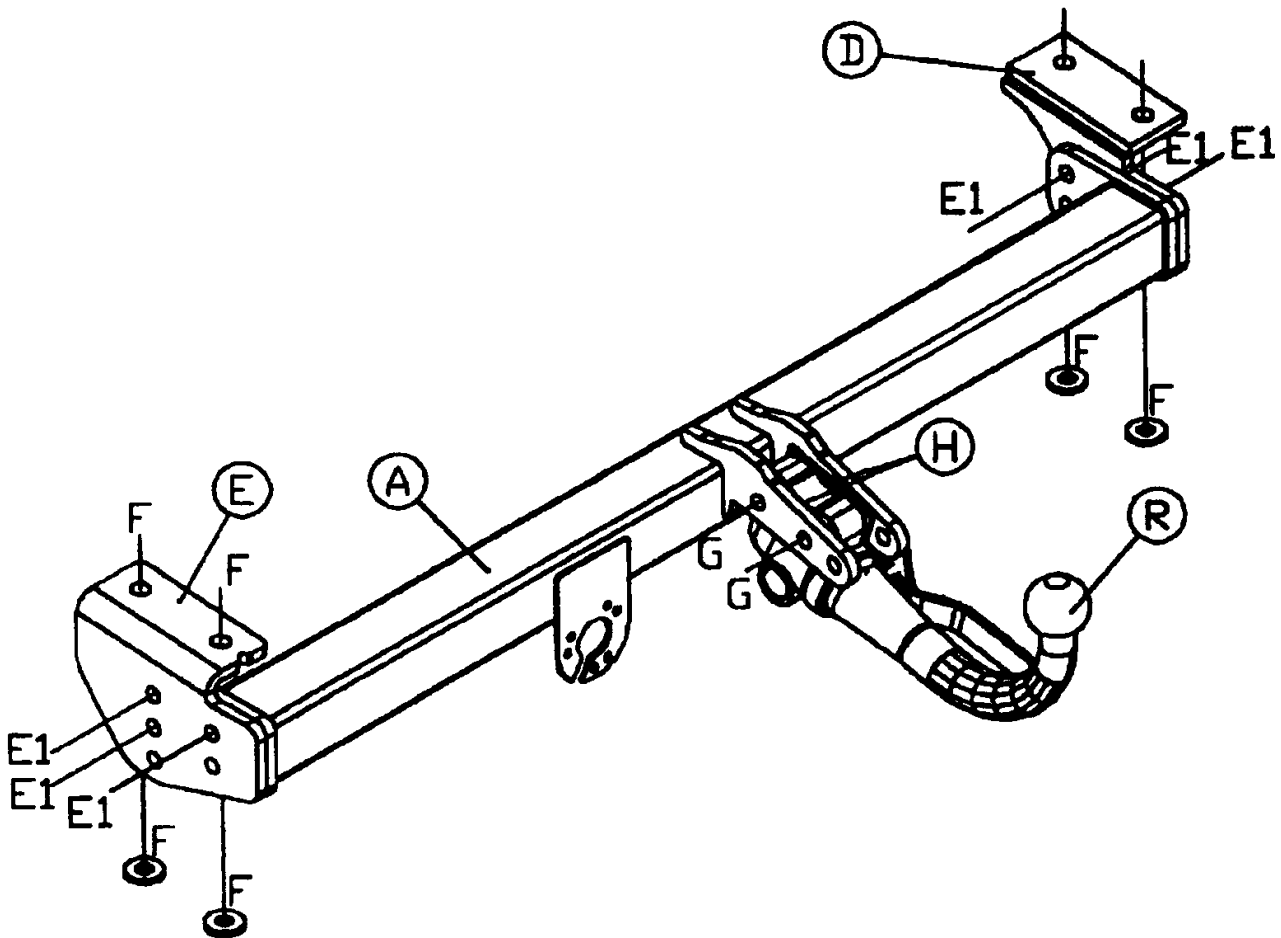
FITTING

1. Remove and discard the towing eye on the left hand side.
2. Loosely attach Side Arms (D) and (E) to captive threads in chassis using Bolts (F).
3. Loosely attach Towbar Mainframe (A) to Side Arms (D) and (E) using Bolts (E1). **Note:** There are two hole positions in Side Arms to allow 30mm different towball heights. With the Mainframe in the higher setting the towball has to be released and rotated to prevent interference with the opening of the rear door.
4. Finally tighten all bolts.

Notes: Remove Towball when not in use to maintain clear access to rear loading area.

Please refer to the vehicle specification for the trailer weight and nose limits, which **must be observed**.

Recommended torque settings: M8 - 27Nm, M10 - 53 Nm, M12 - 95 Nm, M14 - 150 Nm, M16 - 214 Nm



Fitting Instructions

Detachable Towball System

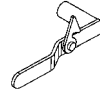
ZR2

MATERIALS

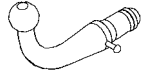
A Towball Receptor Unit



B Handle



C Towball Neck



P Safety Chain Plate



W Weather Cover

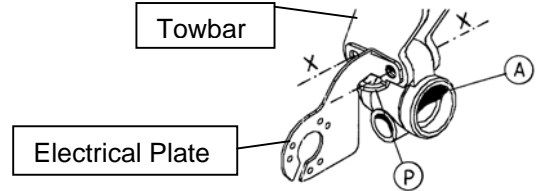


S Towball Neck Bag

2 M12 x 75mm x 1.75 Bolts + Nylocs

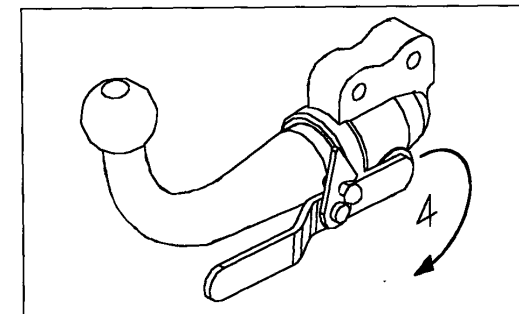
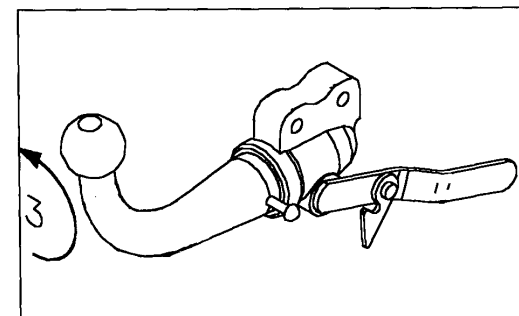
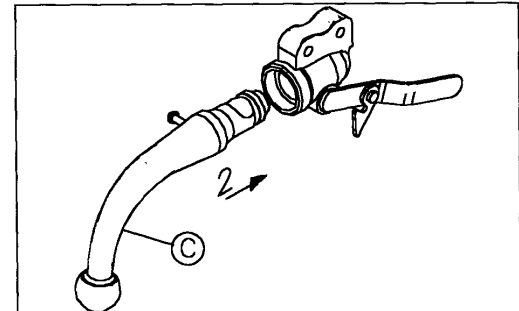
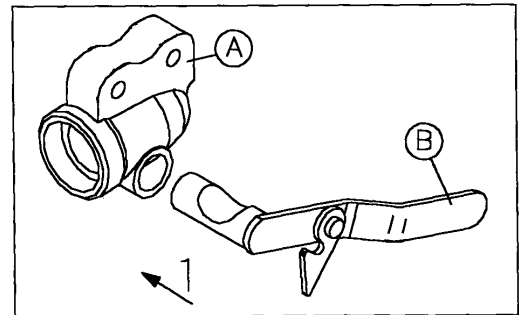
FITTING OF TOWBALL RECEPTOR

1. Remove original bolts at (X) and Towbar Centre Part (If fitted).
2. Attach Towball Receptor Unit (A), Safety Chain Plate (P) and original Electrical Plate if removed, to Towbar Centre Plates using replacement Bolts and Nyloc Nuts.
3. Tighten Bolts to 96 Nm.



DETACHABLE OPERATION

1. Slide Handle (B) into Towball Receptor Unit (A) and keep orientated as shown.
2. Slide Towball Neck (C) into Towball Receptor Unit (A).
3. Rotate Towball Neck (C) anti-clockwise 180°.
4. Rotate Handle (B) clockwise until Spring Loaded Lock clips into position as shown.



REMOVAL OF TOWBALL

Removal is a reverse of the above procedure. Place Handle (B) and Towball Neck (C) in bag provided. After removing Towball Neck (C) fit Weather Cover (W) to Towball Receptor Unit (A).



Fitting Instructions

SUPPLEMENTARY FITTING KIT TY123A(S)
For Towbar
TOYOTA RAV 4

MATERIALS

H 2 6mm Spacer Plates

FITTING

Please add the above Spacer Plates when fitting ZR2L005

