



# Fitting Instructions

TOWBAR  
For Mercedes R-Class  
2006 -

**MR36AU**  
for  
**MR36AQ**  
**MR36AQF**

## MATERIALS

A	1	Cross Bar
B	2	Sidearm
C	1	Electrical Plate Angle (ZEQ2)
D	4	M12 x 30 x 1.75 Bolts, Lock Washers and Flat Washers (25mm O.D)
E	4	M10 x 35 x 1.5 Bolts, Nuts, Lock Washers and 2 off Flat Washers (25mm O.D)
F	4	M10 x 1.5 Nuts, Lock Washers and Flat Washers (25mm O.D)
G	2	M12 x 35 x 1.5 Bolt, Nuts, Lock Washers and Flat Washers.
H	1	M10 x 25 x 1.5 Bolt, Nut, Lock Washer and 2 off Flat Washers.
ZE	1	Electrical Plate (ZEP1)

## For use with

**MR36AQ Detachable neck option – ZQ3016.** Please refer to ZQ fitting instructions for installation

**MR36AQF Detachable flange neck option – ZQF3016.** Please refer to separate fitting instructions for installation

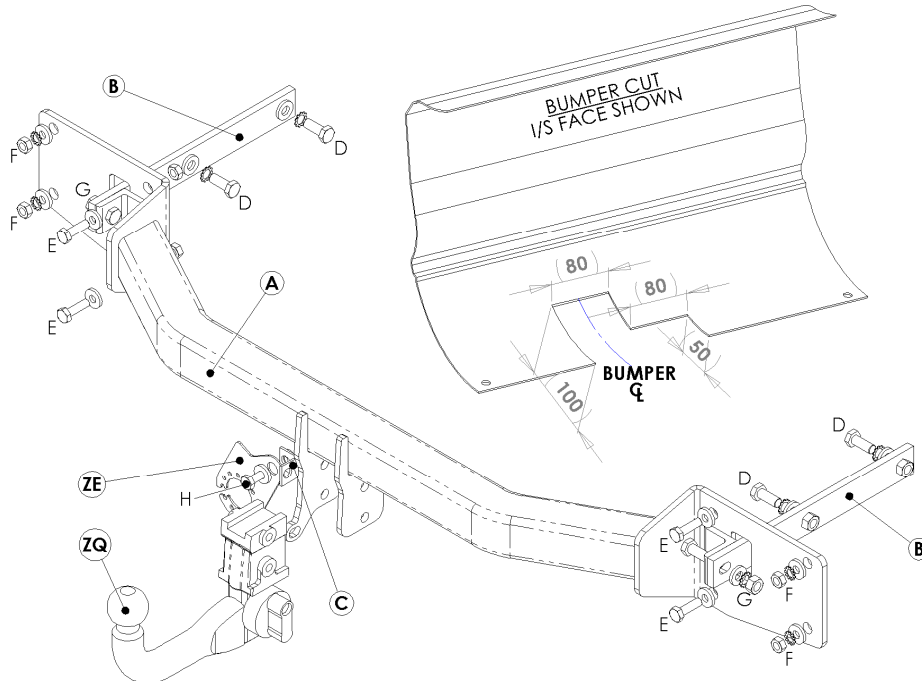
## FITTING

1. Remove rear light cluster, 3 off small hex head nuts per side (8mm socket).
2. Remove Bumper, 4 off hex head screws in lower edge (10mm socket), 3 off plastic push clips in each wheel arch, 1 off hex head screw in top of each wheel arch (8mm socket), 2 off pressed steel clips per side, securing bottom outer edge of bumper to heat shield and 1 off hex nut located on inner side of rear panel at lower corner of light cluster (10mm socket).
3. Remove rear crash beam, 4 off nuts per side (16mm socket). Note: Inner top fixings are accessed by removing floor trim in boot (no fixings).
4. Insert sidearms (**B**) into open ends of chassis and loosely attach using fixings (**D**). It may be necessary to loosen fuse box on off side to gain access to forward most fixing. **Note: It is essential to fully seal chassis openings to prevent any possible water ingress when the towbar is fitted.**
5. Attach crossbar (**A**) using fixings (**E**), (**F**) & (**G**). Tighten all fixings.
6. Attach Detachable neck (**ZQ**) and Electrical plate angle (**C**) as per separate instruction.
7. Attach Electrical Plate (**ZE**) using fixings (**H**).

## Note:

Please refer to the vehicle specification for the trailer weight and nose limits, which **must be observed**.

**Recommended torque settings:** M10 - 53 Nm, M12 - 95 Nm, M16 - 214 Nm,



W0001MR36AU-FIT\$010802220000